



# PRODUCTS OVERVIEW

CE Made in Italy

TECHNOLOGY FOR FLUIDYNAMICS  
N. E15/EO



## HELP THE NATURE

Packaging contains, depending on the articles, one or more of the following materials; they must be recycled in accordance with current regulations in the country of use.

cardboard • polyethylene sack • polystyrene • paper • wood • nails  
• plastic strap • cellophane • clips • gummed paper



## OUR STRENGTHS POINTS

The widest range of technology for fluidynamics designed to meet all the needs of our clients with cutting-edge solutions, even the most specific.

The quality, reliability and design that have always distinguished the Ecodora brand in the global market.

A technical service before and after sales to recommend the most suitable product according to the customer's needs as well as to provide support to the end users.

## OUR GOAL

To meet every user's needs by offering only high quality products.



[www.ecodora.com](http://www.ecodora.com)  
[info@ecodora.com](mailto:info@ecodora.com)

CE Made in Italy

## STUDY, RESEARCH AND DESIGN

The real strength of a firm starts with the ability of its study and research departments to always find the most suitable solutions to address market demands.



## TECHNICAL ASSISTANCE

ECODORA has the most complete range of products for lubrication and the dispensing of fluids. The aim is to always respond fully to the questions of our customers and meet all their needs.







## APPLICATION FIELDS

The resistance, manageability and the capacity of the manual hose reels are important characteristics.

With these qualities, the manual hose reels are usable in all the working environments, as, for example, in agriculture, shipyard and many other.

# BRAKE BLEEDERS, TYRE INFLATORS, WASH AND DEPLETED OIL COLLECTION

## PORTABLE INFLATORS



With 2 or 3 chambers  
5 l



Automatic filling  
13 l



With inflation gun  
13 - 24 l

## BRAKE BLEEDERS



With brush  
or by dipping  
65 l

## WASH TANK AND NON-TOXIC SPRAYERS



AISI 304 St. steel  
24 l



Painted steel  
16 - 24 l

## PIT OR FLOOR DRAINERS



Adjustable trolley  
65 - 110 - 150 l



With or without exchange pump  
50 - 95 - 150 l

## DEPLETED OIL DRAINERS



Central or side sump  
65 - 90 - 115 l



With or without prechamber  
65 - 90 - 115 l



With pantograph  
65 - 115 l



Wall-mounted  
pneumatic kit



# OIL AND GREASE DISPENSING

## HAND-OPERATED PUMPS - PNEUMATIC DISPENSERS GREASERS 13 kg



Double-acting manual pump 16 - 24 l



Air-operated 8 - 10 bar 16 - 24 l



With lever or pedal 400 bar 13 kg



High pressure 350 bar transfer 20 bar

## AIR-OPERATED OIL AND GREASE PUMPS



Series 500  
R 1:1-35 l/min  
Viton® Seals



Series 600  
R 3:1-14 l/min  
NBR Seals



Series 650  
R 5:1-18 l/min  
NBR Seals



Series 900  
R 5:1-45 l/min  
PU Seals



Series 600  
R 50:1-1500 g/min  
PU Seals



Series 700  
R 65:1-1900 g/min  
PU Seals



Series 900  
R 45:1-4400 g/min  
PU Seals



Series 1500  
R 70:1-7000 g/min  
PU Seals

## OIL AND GREASE DISPENSING KIT



Movable platforms for oil dispensing with pump R 3:1-5:1 litre-counter gun and hose reel



Oil dispensing kit for 20 - 220 l drums with pump R 3:1-5:1 and litre-counter gun



Movable greasing kits for drums 20 - 200 kg R 50:1-1500 g/min



Wall-mounted dispensing kit with pump R 3:1-5:1 and hose reel

# DISPENSER GUNS, LITRE COUNTERS, PULSERS, SERVICE COLUMNS, FLUID CONTROL SYSTEM

## DISPENSER GUNS



Series 1/2" for oil  
40 l/min



Series 1/2" for oil  
65 l/min



Series 3/4" for oil  
70 - 85 l/min



Series 1/2" for  
windshield washing  
liquid and antifreeze  
40 l/min

## FLUID CONTROL SYSTEM



Operator control  
unit (OCU)



## DIGITAL LITRE COUNTERS AND PULSER FOR OIL, DIESEL FUEL, ANTIFREEZE AND WINDSHIELD FLUID



Series 1/2"  
35 - 40 l/min

Series 3/4"  
70 - 90 l/min

Series 1"  
100 - 120 l/min



Service  
columns



# INDUSTRIAL AND DIAPHRAGM PUMPS FOLLOWER PLATE LIFTER KITS

## DIAPHRAGM PUMPS IN ALUMINIUM R 1:1



In accordance with directive ATEX



Series 120-AAB  
1/2" - 70 l/min



Series 1000-AAB  
1" - 170 l/min



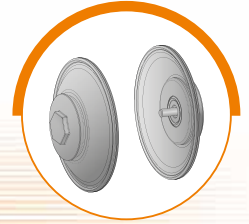
Series 1140-AAB  
1.1/4" - 200 l/min



Series 1120-AAB  
1.1/2" - 480 l/min



Series 2000-AAB  
2" - 560-610 l/min



### AVAILABLE DIAPHRAGMS

- NBR HIGH NITRIL
- HYTREL®
- EPDM
- SANTOPRENE™
- PTFE + HYTREL®

## POLYPROPYLENE DIAPHRAGM PUMPS - MOTOR IN ALUMINIUM R 1:1



In accordance with directive ATEX



Series 120-PPAB  
1/2" - 60 l/min



Series 120-PPAB  
1/2" - 60 l/min  
DOUBLE INLET



Series 1000-PPAB  
1" - 170 l/min



Series 1000-PPAB  
1" - 170 l/min  
DOUBLE INLET

## POLYPROPYLENE DIAPHRAGM PUMPS - MOTOR IN POLYPROPYLENE R1:1



Series 120-PPB  
1/2" - 65 l/min



Series 120-PPB  
1/2" - 65 l/min  
DOUBLE INLET



Series 1000-PPB  
1" - 145 l/min



Series 1000-PPB  
1" - 145 l/min  
DOUBLE INLET

## INDUSTRIAL AIR-OPERATED PUMPS OIL, GREASE AND INDUSTRIAL FLUIDS



In accordance with directive ATEX



Oil and industrial fluids  
Series 900  
R 2:1 ÷ 11:1  
30 ÷ 95 l/min



Oil and industrial fluids  
Series 1200  
R 3:1 ÷ 18:1  
23 ÷ 100 l/min



Industrial fluids  
Series 1800  
R 5:1 ÷ 8:1  
65 ÷ 90 l/min



Oil and industrial fluids  
Series 1500  
R 4:1 ÷ 6:1  
80 ÷ 110 l/min

Grease R 45:1 ÷ 70:1  
3 ÷ 4,4 kg/min

Grease R 40:1 ÷ 75:1  
4,4 ÷ 10 kg/min

Grease R 70:1  
7 kg/min



Follower plate  
lifter  
kit for fluids

# HOSE REELS FOR FLUID AND CABLE REELS

**WHEN CHOOSING A HOSE REEL IT IS IMPORTANT TO CONSIDER THE FOLLOWING POINTS:**

- ✓ type of fluid to be dispensed
- ✓ delivery in l/min to be dispensed
- ✓ length and width of the hose to be used
- ✓ pressure of the fluid

Air-Water **20/400 bar**

Oil and allied products **150 bar**

Grease **400 bar**

Diesel fuel **10 bar**

AdBlue® **10 bar**

Oil-Water **200 bar**

Oil-Paints **200 bar**

Welding **20 bar**

LPG-methane **20 bar**



In accordance with directive ATEX

## RANGE OF HOSES

POLYURETHANE	BLACK SYNTHETIC RUBBER	HYGIENIC HOSE	RUBBER SBR/EPDM - ISO3821	RUBBER NBS/PVC - ISO3821
				

## CABLE REELS

### ✓ ADVANTAGES

- ▶ Electric collector designed for better performances also with high currents.
- ▶ Thermal protector against overheating of the rewinded cable mounted in all the models.
- ▶ IP44 protection degree provided for all the electrical parts.
- ▶ Spring tested for more than 10 working years with the possibility to easily adjust the rewinding force.
- ▶ Cable guide with rollers equipped with 4 rollers in each model designed to save the work life of the cable.
- ▶ Different options for different needs: rewinding clutch, bayonet bracket and protection cap.





## FIXED AND SWIVELLING INDUSTRIAL SERIES IN PAINTED STEEL AND AISI 304 - AISI 316 STAINLESS STEEL

Supplied with hose in black synthetic rubber or hygienic blue rubber



Series 560

Series 540

Series 530

Series 440

Series 430

Series 350

Series 300

Series 270

## STANDARD SERIES WITH ENCLOSURE IN TECHNOPOLYMER, PAINTED STEEL AND AISI 304 STAINLESS STEEL

Supplied with polyurethane hose



Series 260 SHOCKPROOF ABS

Series 250 ABS

Series 250 PAINTED - STAINLESS STEEL

Series 300 PAINTED - STAINLESS STEEL

## STANDARD SERIES IN PAINTED STEEL

Supplied with polyurethane hose



Series 430

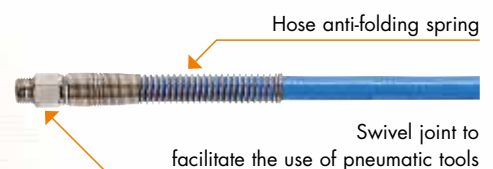
Series 350

Series 300

Series 270

### TECHNICAL CHARACTERISTICS

- ✓ Polyurethane hose (blue) with protection spring on fittings.
- ✓ Brass swivel joint pipe outbound.
- ✓ Brass fittings.
- ✓ Length in entrance 1,5 m.





## INDUSTRIAL SERIES WITH DRUM IN SHOCKPROOF ABS, OPEN VERSION OR ENCLOSED WITH SUPPORTING STRUCTURE IN PAINTED STEEL OR AISI 304 STAINLESS STEEL



S. 430 ABS  
PAINTED STEEL



S. 430 ABS  
STAINLESS STEEL



S. 430 ABS  
PAINTED ENCLOSED

## INDUSTRIAL SERIES FOR SPECIFIC APPLICATIONS



S. 530 - 540 - 560  
PAINTED - STAINLESS STEEL  
for DIESEL FUEL



S. 436 PAINTED  
S. 537 STAINLESS STEEL  
for AdBlue®



S. 430 - 530 - 540  
PAINTED  
for WELDING



S. 330 - 390 - 430  
530 - 540 PAINTED  
for LPG/METHANE



S. 430 - 530 - 540  
PAINTED  
DOUBLE INLET/OUTLET

## MANUAL SERIES WITH SECURITY SYSTEM IN PAINTED STEEL OR STAINLESS STEEL AISI 304 - 316



S. 560  
PAINTED  
STAINLESS STEEL



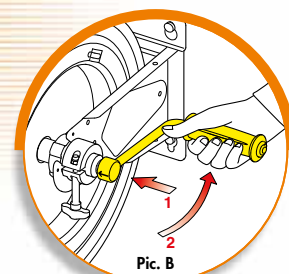
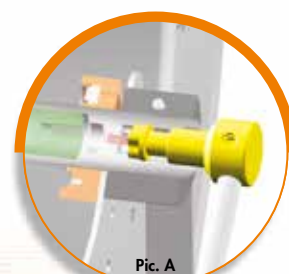
S. 540  
PAINTED  
STAINLESS STEEL



S. 530  
PAINTED  
STAINLESS STEEL



S. 430 PAINTED  
STAINLESS STEEL  
ABS



### SECURITY SYSTEM

The hose reel is designed with a new security system that allows the handle to stay in place, avoiding the rotation during the manual hose unreeling (Picture A - B).

## SERIES 500 HOSE REELS IN PAINTED STEEL WITH SECURITY SYSTEM



Width 240 - 320 - 460 - 600 mm

### TECHNICAL CHARACTERISTICS

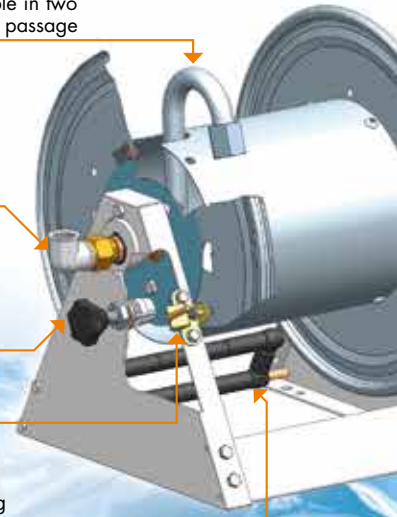
Practical elbow union that facilitates hose connection. Available in two versions with 1/2" or 1" passage

Swivel joints suitable for various pressures and with total passage. Available in brass galvanised steel and AISI 304 stainless steel

Clutch in POM to regulate hose unwinding and prevent the drum from turning empty due to inertia

Parking lock

Large hose guide to favour hose unwinding and rewinding



## SERIES 600 MOTORIZED HOSE REELS IN PAINTED STEEL

Available with hydraulic or pneumatic motor with 1" or 1.1/2" passage



Series 617 - 637 Hydraulic  
Width 220 - 400 mm

Series 618 - 638 Pneumatic  
Width 220 - 400 mm

## SERIES 700 MANUAL AND MOTORIZED HOSE REELS IN PAINTED STEEL

Available with various motorizations with 2" passage



Manual

Electric 230V



MANUAL



ELECTRIC 24V



HYDRAULIC



PNEUMATIC



## CABLE REEL SERIES 280 - ENCLOSED HOSE REEL SERIES 280 Air-Water



Series 280  
400 V THREE PHASE  
without socket

Series 280  
230 V SINGLE PHASE with socket  
and SCHUKO plug IP44

Series 280  
Air-Water  
20 bar / 40 °C



REWINDING CLUTCH



PROTECTION CAP



BAYONET BRACKET



SWIVELLING HOOK



PROTECTED SWITCH

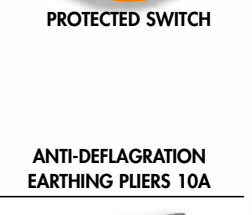
## CABLE REEL SERIES 280 - 290 with lamp



Series 280  
WITHOUT TRANSFORMER  
fluorescent portable lamp and led

Series 290  
WITH TRANSFORMER 230 V  
led portable lamp

S. F230 - F12 - F24  
Fluorescent lamp  
S. L1224  
Led lamp



PROTECTED SWITCH

## GROUNDING CABLE REEL - Enclosed cable reel SERIES 280 - Cable reel SERIES 350



In accordance with directive  
Atex

EARTHING PLIERS  
100A



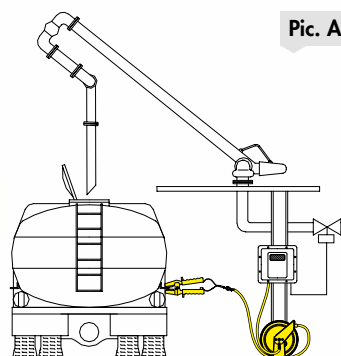
EARTHING PLIERS  
50A



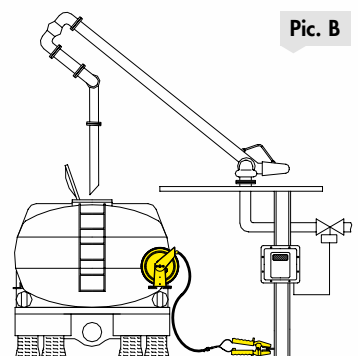
ANTI-DEFLAGRATION  
EARTHING PLIERS 10A



Pic. A



Pic. B



EXAMPLE OF OPERATION





The Intellectual Property rights to the trademark ECODORA are exclusive and all rights to its use and reproduction are reserved.

The ECODORA trademark is a protected trademark at an international level. No part of the ECODORA trademark and its logo may be utilized, copied and/or used in any form, time and space, even by means of improper alterations.

The Intellectual Property rights on the images published in this catalogue are owned exclusively by ECODORA S.r.l. and any unauthorized reproduction is prohibited.

Any use in general of the assets protected by the Intellectual Property rights of the trademark ECODORA is prohibited and is subject to the prior written permission of ECODORA S.r.l.

The manufacturer declines any responsibility for possible inaccuracies contained in this catalogue, due to printing or transcription errors.

The manufacturer reserves the right to make any changes or improvements of a functional, technical or aesthetic nature without prior notice.



All rights reserved to Ecodora s.r.l.

Ecodora S.r.l.  
Vicenza - Italy  
tel. +39 0424 570891  
fax +39 0424 571354  
[www.ecodora.com](http://www.ecodora.com)  
[info@ecodora.com](mailto:info@ecodora.com)



WEPAN2016-GB

CE Made in Italy